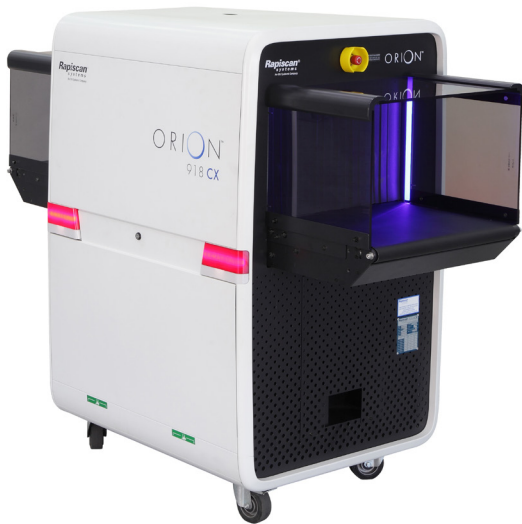


DATASHEET



The new 918CX is a High Performance, compact and versatile 540mm by 360mm tunnel X-Ray system with exceptional image quality and excellent threat detection alert capabilities.

INDUSTRY BEST RESOLUTION & MATERIAL DISCRIMINATION

EXPLOSIVES & NARCOTICS DETECTION

LOW DENSITY IMAGE ENHANCEMENT

MATRIXING, NETWORKING & REMOTE VIEWING



SPECTRUM 4-COLOR IMAGING

918CX can present images to the operator in the Classic 4-color and the new proprietary Spectrum 4-color (SP4) option providing superior image, allowing improved security by quick and accurate identification of threats and increase in throughput.

DUAL MODE Z_{EFF}

This feature aids the operator in quick identification of organic materials, either in Range Mode which highlights areas based on operator selected Z-effective values of 7, 8 or 9, or in Interactive Mode which gives the operator the option to display the Z-effective number of a selected pixel.

EXPLOSIVES AND NARCOTICS DETECTION

Target and NARCSscan are designed to detect a wide range of explosives and narcotics respectively in real time during the scanning process by marking a potential threat on the X-ray image. Rapiscan® Systems detection algorithms are based on regulatory approved material analysis techniques.

EUROPEAN AVIATION COMPLIANCE

918CX performance is in full compliance with the mandatory regulations (EC) No. 300/2008, (EC) Implementing Regulation 1998/2015 and update 815/2017, EC Implementing Decision 8005/2015 and update 3030/2017 for aviation security in the European Union.

YOUR AUTHORISED DISTRIBUTOR |

SELMATEC X SECURITIES

NORWAY

+47 63 92 84 00
sales@selmatec.no
www.selmatec.no

DENMARK

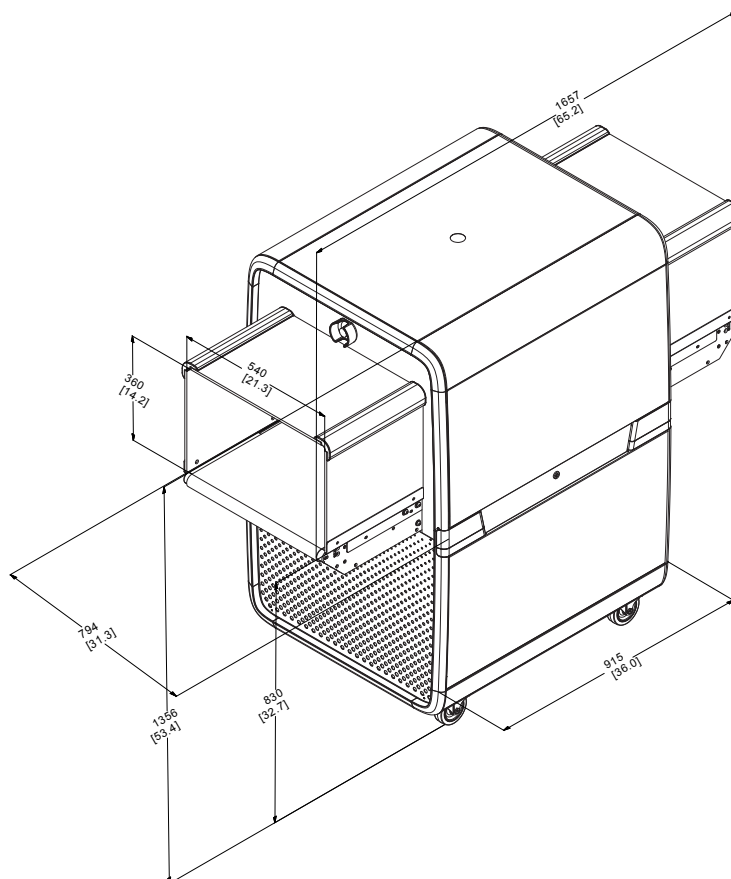
+45 48 18 90 33
sales@selmatec.dk
www.selmatec.dk

SWEDEN

+46 19-670 81 00
sales@selmatec.se
www.selmatec.se

FINLAND

+358 105 263 980
sales@holgerhartmann.fi
www.holgerhartmann.fi



PHYSICAL SPECIFICATIONS ¹

DIMENSIONS	L	1,657 mm (65.2 in)
	W	794 mm (31.3 in)
	H	1,356 mm (53.3 in)
TUNNEL SIZE	W	540 mm (21.3 in)
	H	360 mm (14.2 in)
CONVEYOR HEIGHT		830 mm (32.7 in)
WEIGHT (NET)		414 Kg (913 lbs)

ENVIRONMENT & POWER

STORAGE TEMPERATURE	-20°C to 50°C
OPERATING TEMPERATURE	0°C to 40°C
RELATIVE HUMIDITY	5 to 95% non-condensing
SYSTEM POWER	100/110/120/200/208 /220/230/240 VAC ±10%

PERFORMANCE ²

CONVEYOR SPEED ¹	0.20 m/sec (39.4 ft/min)
CONVEYOR LOAD ¹	165 Kg (364 lbs)
STEEL PENETRATION	33 mm typical, 31 mm standard
WIRE RESOLUTION	40 AWG typical, 38 AWG standard
SPATIAL RESOLUTION	0.8 mm vertical & horizontal

HIGH SPEED OPTION

CONVEYOR SPEED ¹	0.35 m/sec (68.9 ft/min)
STEEL PENETRATION	30 mm typical, 29 mm standard
WIRE RESOLUTION	36 AWG typical, 34 AWG standard
SPATIAL RESOLUTION	0.8 mm vertical & horizontal

X-RAY GENERATOR

ANODE VOLTAGE:	140kV
ORIENTATION	Diagonally Upward

KEY FEATURES AND OPTIONS

Explosive threats, narcotics & density alerts

Spectrum 4

17 Image processing functions

SINERGY low density enhancement

Dual Mode Z-effective

CrystalClear™

Automatic, Enhanced Image Archiving

E.U. Approved Threat Image Projection

Remote Status Monitoring

Remote Archive Review

Multi-System Alarm Resolution Network

13 Languages

64-bit Operating System

Scan S™

64-bit Operating System

info@rapiscansystems.com

www.rapiscansystems.com



Rapiscan® systems

An OSI Systems Company

1. Approximate Values 2. Stated performance as measured by Rapiscan® Imaging Validation Test Kit

Rapiscan® Systems is ISO 9001:2015 Certified

Rapiscan® Systems' cabinet X-ray products comply with all applicable U.S. FDA and equivalent international regulatory agency requirements, contained in the cabinet X-ray radiation safety performance standard [21 CFR 1020.40] and the general performance standard [21 CFR Part 1010] as well as IEC standard 61010-2-091. Rapiscan® baggage and parcel inspection systems radiation emission leakages are well below the required regulatory limits with less than 1 µSv/hr at 10 cm from all surfaces of cabinet X-ray.

With continual development of our products Rapiscan® Systems reserves the right to amend specifications without notice. Product pictures are for general reference. Please note that due to US laws and regulations, not all Rapiscan® products are available for sale in all countries without restriction. Please contact your Rapiscan® Systems sales representative for more information.

DSBP-0002-918CX-184302